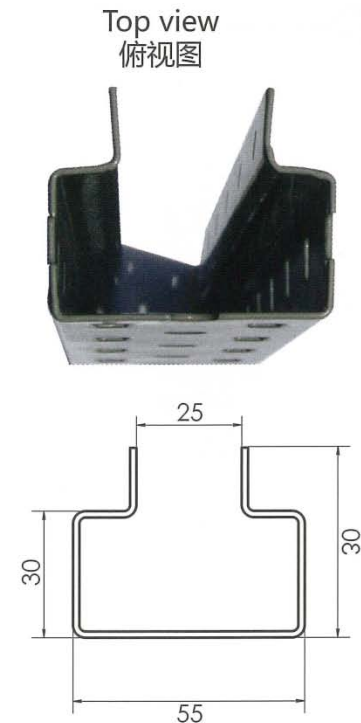
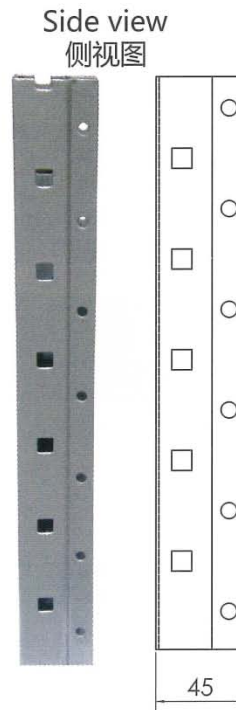
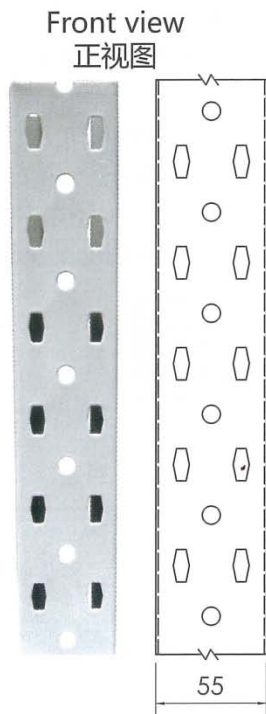


# Colby Long-Span



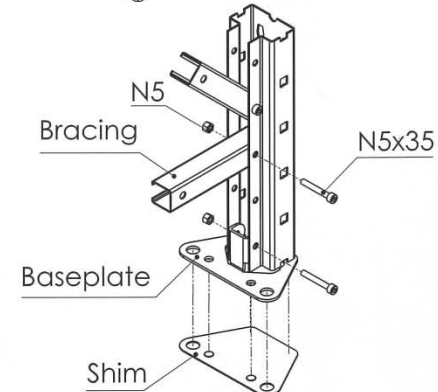
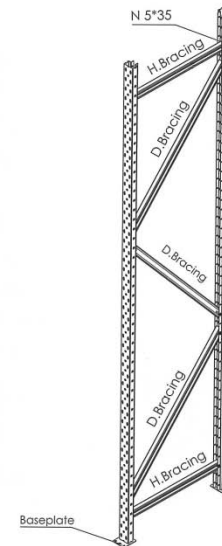
- › SSD 55 x 45 x 1.5, Q235 steel
  - 50 mm pitch
  - Full-width frame bracing



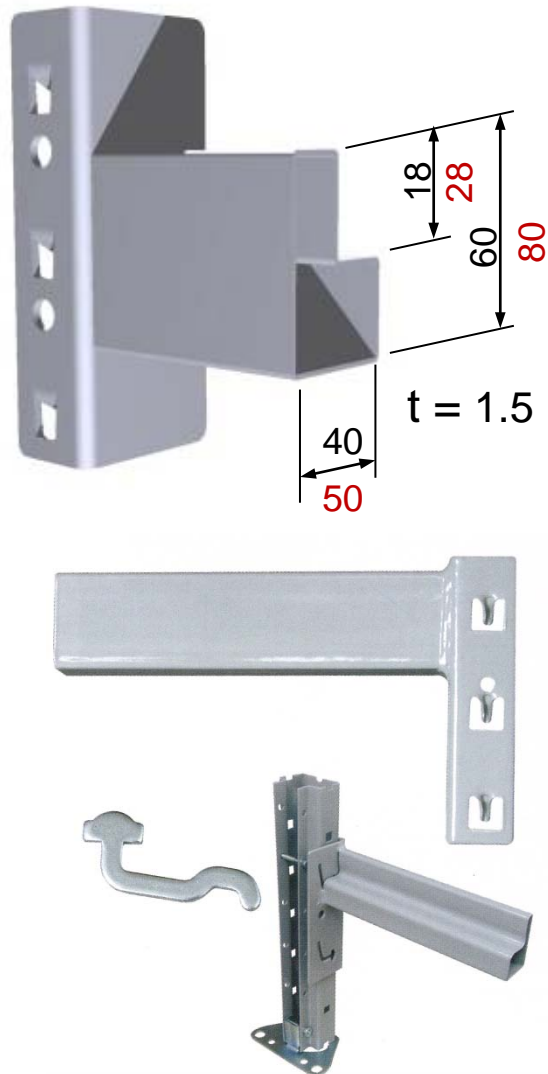
# Frames



2 Uprights Frame  
2立柱门片

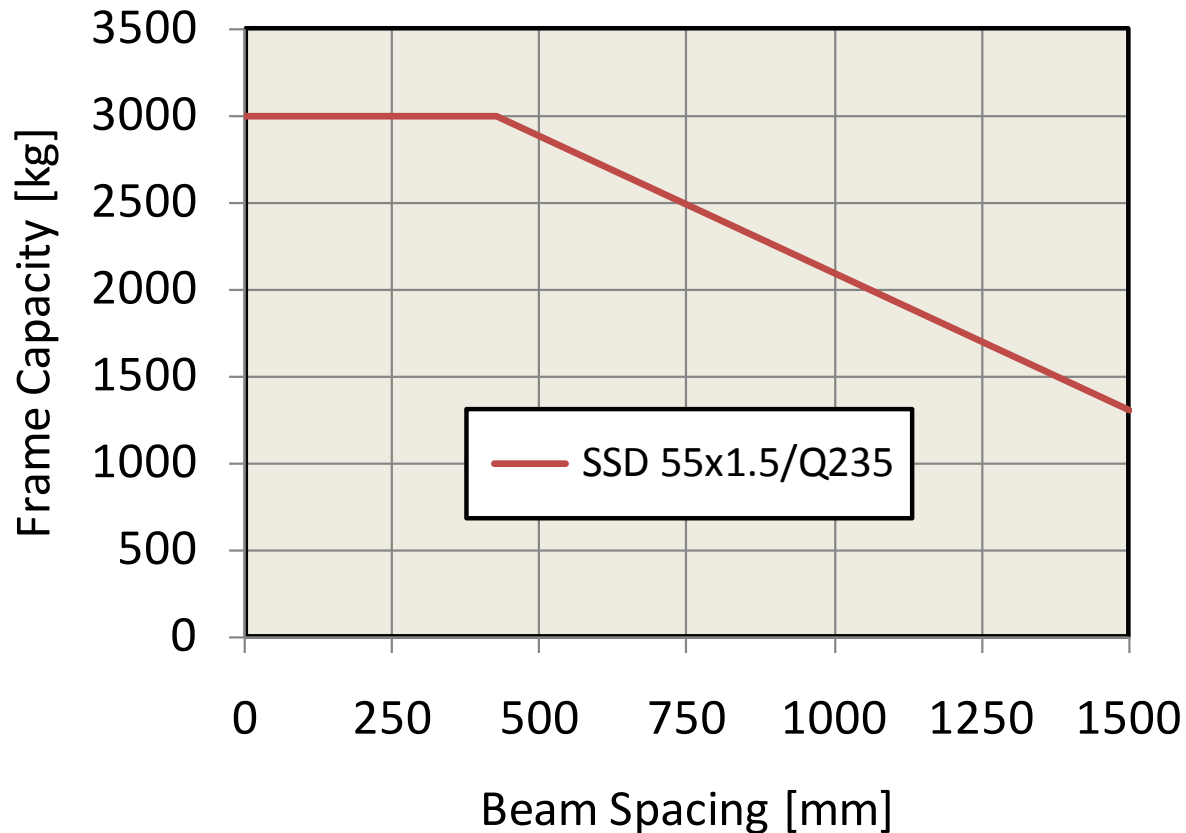


# Step Beams



	Load Capacity per Pair of Beams	
	Step Beam	Step Beam
Clear	60x40x1.5	80x50x1.5
Entry		
[mm]	[kg]	[kg]
1050	760	
1200	670	
1350	600	
1500	540	
1800	450	
2100	390	
2400	340	
2100		640
2400		560

# Frame Capacities



- ▶ Maximum 3.0m frame height
- ▶ Assumes equal beam spacing
- ▶ Applies for any beam type up to 2400 mm span